

RADON MOBILE HEAD

► Specifications

○ TO OPTIMISE YOUR MEASURING SITE BY ADDITION OF A RADON CHANNEL.

□ APPLICATIONS

- Measurement of radon in the ground
- Geophysical studies
- Earthquake predictions
- Prediction of volcanic eruptions

The radon mobile head uses the measuring principle of the BARASOL MC probe from which it is derived. It includes a detector with 400mm² of sensitive surface, a load preamplifier and a measuring window set to generate a pulse if the energy of the particles detected is between 1.5MeV and 6MeV.

Generated pulses are to be counted by a data acquisition device.

Sensitivity of measurement :

50 Bq.m⁻³ per imp.h⁻¹ (typical value)

Operating temperature :

-20°C to +50 °C.

Casing :

Casing made of fibreglass and corrosion-resistant stainless steel.

Grab handle.

Protection index : IP 68.

4 points water proof connector

Valve for pressure test

An annual calibration is advised

Dimensions :

Height: 280 mm

Diameter: 60 mm

Weight: 1.5 kg

Power supply:

- Sensor with external power supply : 3 to 5 Volts 1 mA.

Available output :

- Open collector
V+ / 0 V on event.
V+ from 3 to 5 Volts
Recommended resistor = 1kOhm.

Cable :

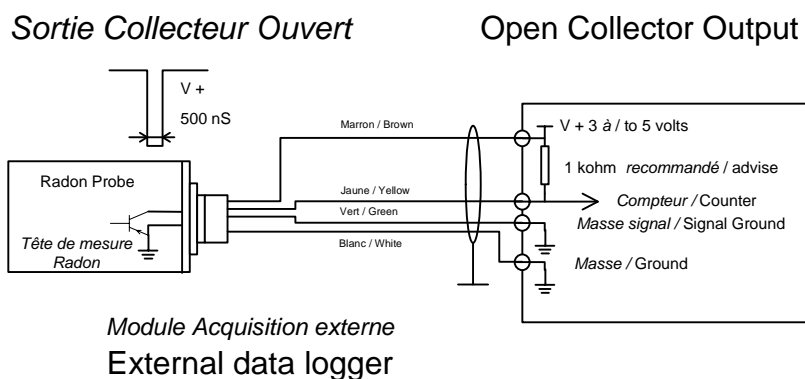
4 wires with shield

Length : 5 m. as standard.

Upon request, 40 m. maximum.

Implementation :

- | | | |
|-------------|--------------|--------|
| □ Conn. # 1 | Ground : | White |
| □ Conn. # 2 | Power supply | Brown |
| □ Conn. # 3 | Ground : | Green |
| □ Conn. # 4 | Output : | Yellow |



We reserve the right to change at any time the features of the instruments described in this documentation.

ALGADE - 1, Av. du Brugeaud - B.P. 46 - 87250 Bessines sur Gartempe - FRANCE
Tél. : +33 (0)5 55 60 50 00 Fax +33 (0)5 55 60 50 59 E-mail : algade@algade.com
<http://www.algade.com>

